



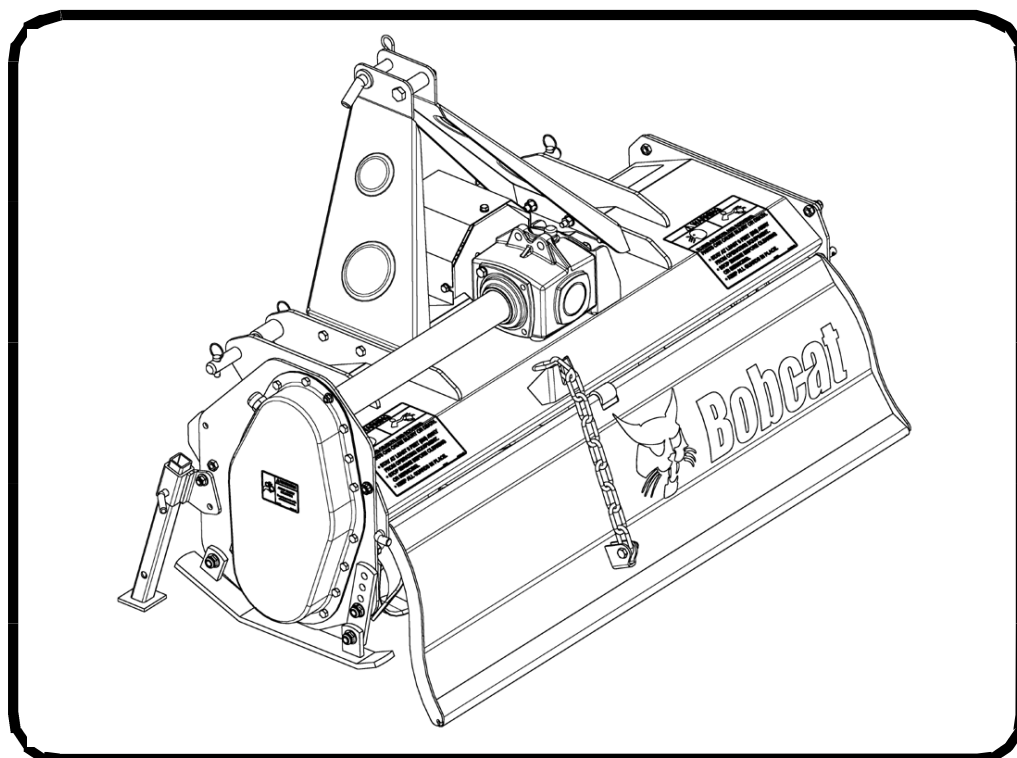
---

# Service Manual

## Three-Point Tiller

---

(TILLER 3TIL48) S/N ADL700101 & Above  
(TILLER 3TIL60) S/N ADKY00101 & Above  
(TILLER 3TIL74) S/N ADL400101 & Above





# MAINTENANCE SAFETY



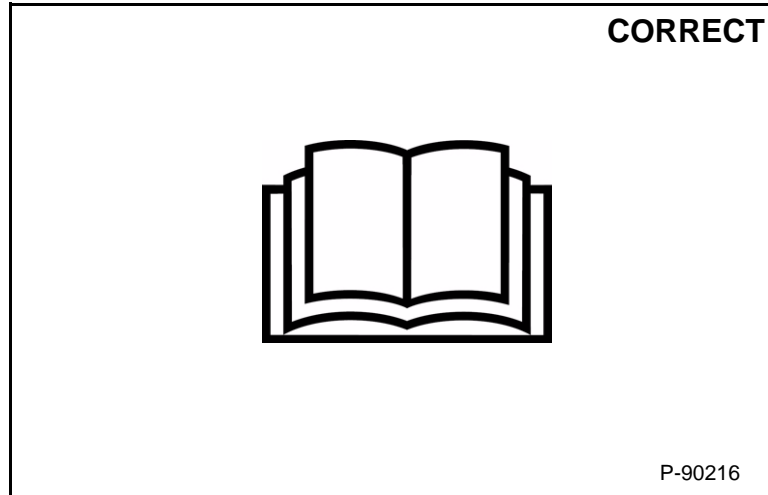
## WARNING









Instructions are necessary before operating or servicing machine. Read and understand the Operation & Maintenance Manual, Operator's Handbook and signs (decals) on machine. Follow warnings and instructions in the manuals when making repairs, adjustments or servicing. Check for correct function after adjustments, repairs or service. Untrained operators and failure to follow instructions can cause injury or death.

W-2003-0807



**Safety Alert Symbol:** This symbol with a warning statement, means: "Warning, be alert! Your safety is involved!" Carefully read the message that follows.



-  Never service attachments / implements without instructions. See Operation & Maintenance Manual and Attachment / Implement Service Manual.
-  Cleaning and maintenance are required daily.
-  Never service or adjust attachment / implement with the engine running unless instructed to do so in manual.
-  Always lower the attachment / implement to the ground before lubricating or servicing.
-  Avoid contact with leaking hydraulic fluid or diesel fuel under pressure. It can penetrate skin or eyes.
-  Stop, cool and clean engine of flammable materials before checking fluids.
-  Keep body, loose objects and clothing away from moving parts, electrical contacts, hot parts and exhaust.
-  Safety glasses are needed for eye protection from electrical arcs, battery acid, compressed springs, fluids under pressure and flying debris or when tools are used. Use eye protection approved for type of welding.



**Bobcat®**

## CONTENTS

SAFETY & MAINTENANCE .....	10-01
MAINFRAME .....	20-01
SPECIFICATIONS .....	SPEC-01
ALPHABETICAL INDEX .....	INDEX-01



**Bobcat®**

## FOREWORD

SERIAL NUMBER LOCATION .....	1-7
Implement Serial Number .....	1-7
DELIVERY REPORT .....	1-7
IMPLEMENT IDENTIFICATION .....	1-8



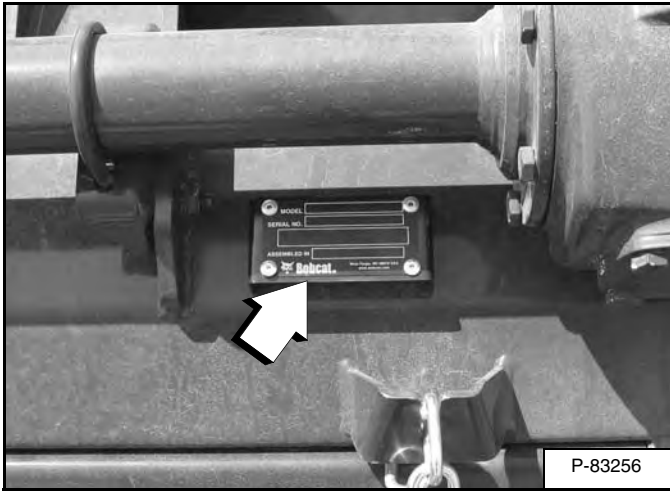
**Bobcat®**



## SERIAL NUMBER LOCATION

### Implement Serial Number

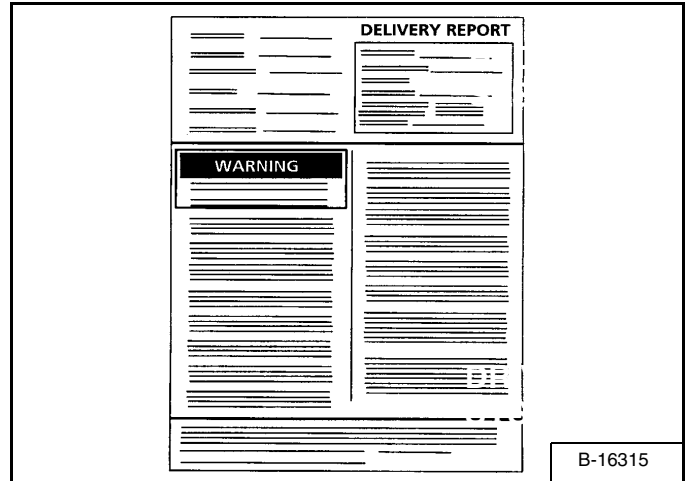
Figure 1



Always use the serial number of the planer when requesting service information or when ordering parts. Early or later models (identification made by serial number) may use different parts, or it may be necessary to use a different procedure in doing a specific service operation [Figure 1].

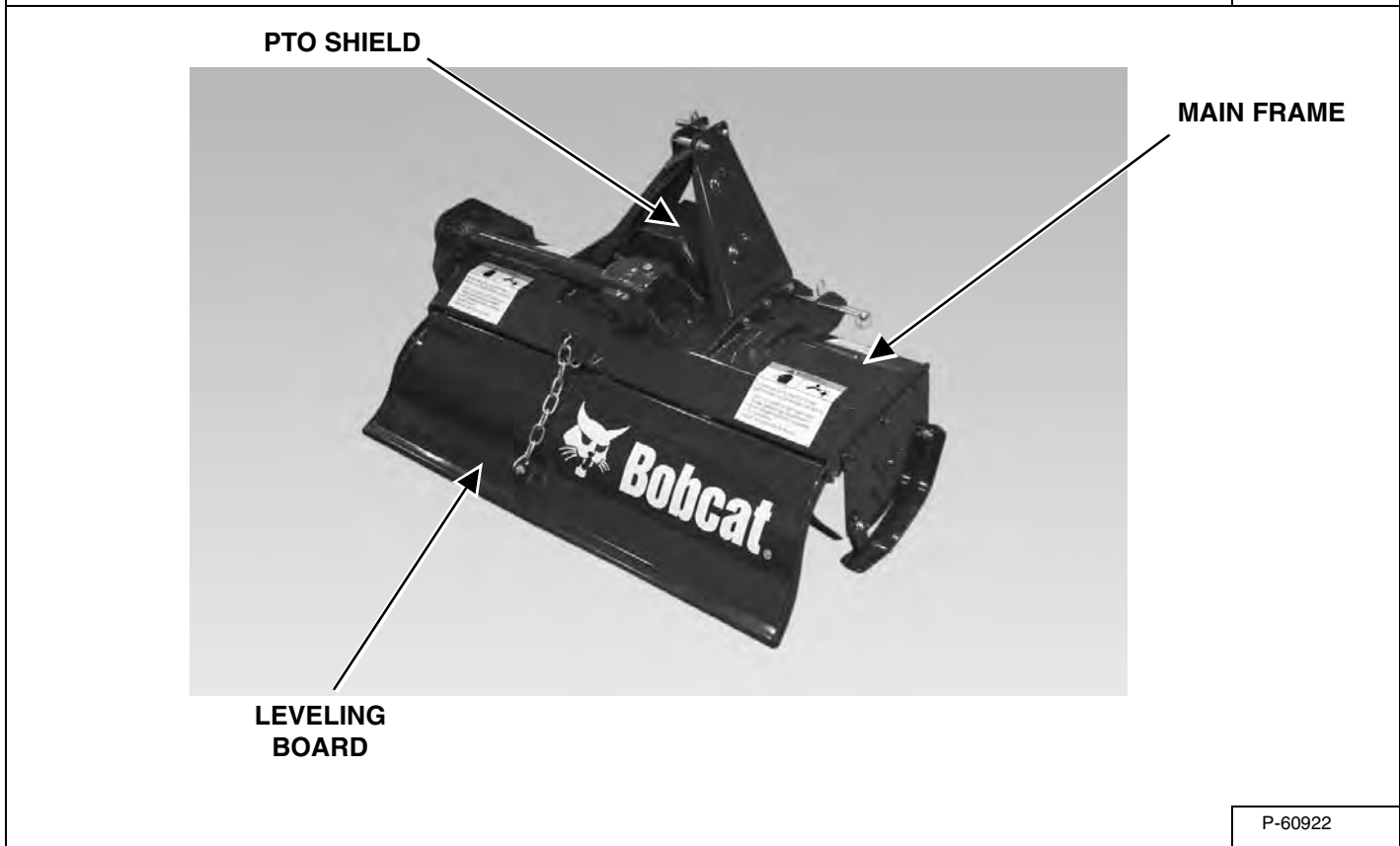
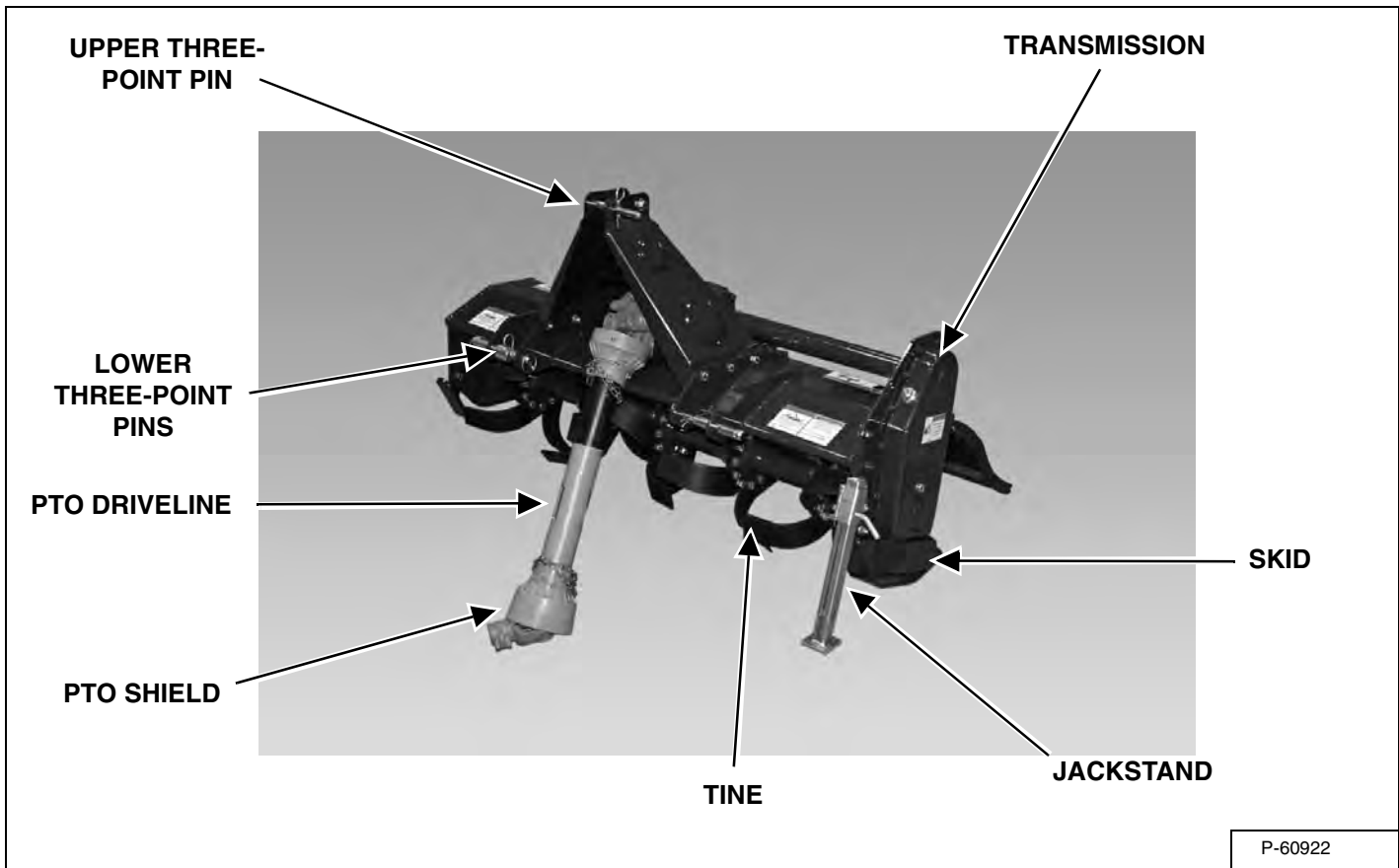
## DELIVERY REPORT

Figure 2



The delivery report [Figure 2] must be completed by the dealer and signed by the owner or operator when the Bobcat planer is delivered. An explanation of the form must be given to the owner.

**IMPLEMENT IDENTIFICATION**



## SAFETY & MAINTENANCE


TROUBLESHOOTING .....	10-10-1
Chart .....	10-10-1
SERVICE SCHEDULE .....	10-20-1
Description .....	10-20-1
DAILY INSPECTION .....	10-30-1
Implement Mounting Frame .....	10-30-1
Three-Point Hitch .....	10-30-1
LUBRICATING THE IMPLEMENT .....	10-40-1
Lubrication Locations .....	10-40-1
REGULAR MAINTENANCE ITEMS .....	10-50-1
Skids .....	10-50-1
Tines .....	10-50-1
Gearbox Fluid .....	10-50-2
Transmission Fluid .....	10-50-2
Cleaning The Three-Point Tiller .....	10-50-3
GEARBOX FLUID CHANGE .....	10-60-1
48" Tiller .....	10-60-1
60" & 74" Tiller .....	10-60-1
REMOVAL AND INSTALLATION .....	10-70-1
Tine Replacement .....	10-70-1
Skid Replacement .....	10-70-1
Leveling Board Replacement .....	10-70-2
Jack Stand Replacement .....	10-70-2
IMPLEMENT STORAGE AND RETURN TO SERVICE .....	10-80-1
Storage .....	10-80-1
Return to Service .....	10-80-1



**Bobcat®**

## TROUBLESHOOTING

### Chart

 <b>WARNING</b>	<b>Instructions are necessary before operating or servicing machine. Read and understand the Operation &amp; Maintenance Manual, Operator's Handbook and signs (decals) on machine. Follow warnings and instructions in the manuals when making repairs, adjustments or servicing. Check for correct function after adjustments, repairs or service. Untrained operators and failure to follow instructions can cause injury or death.</b>
--	--

W-2003-0903

If the attachment is not working correctly, check the hydraulic system of the machine thoroughly before making any repairs on the attachment. Attachment problems can be affected by a hydraulic system that is not operating to specifications. Connect a flow meter to the machine to check the hydraulic pump output, relief valve setting and tube lines to check flow and pressure. (See the machine's Service Manual for the correct procedure to connect the flow meter.)

Use the following troubleshooting chart to locate and correct problems which most often occur with the attachment.

PROBLEM	CAUSE	CORRECTION
Will not till deep enough.	Skid shoes set too high.	Adjust skid shoes.
	Top three-point link adjusted incorrectly.	Adjust top link.
	Tines are worn too much.	Replace worn tines.
Rotor will not turn.	PTO not engaged.	Engage rear-PTO.
	PTO slip clutch worn excessively.	Replace slip clutch. See your Bobcat dealer for service.
	Rotor is obstructed.	Remove obstruction from rotor.
Poor tilling quality.	Tines are worn too much.	Replace tine(s).
	Missing or damaged tine(s).	Replace tine(s).
	Ground speed too fast.	Drive at slower ground speed.
Tillage is not smooth.	Ground speed too fast.	Drive at slower ground speed.
	Leveling board adjusted incorrectly.	Adjust leveling board correctly.



**Bobcat®**

## SERVICE SCHEDULE

### Description



## WARNING

Instructions are necessary before operating or servicing machine. Read and understand the Operation & Maintenance Manual, Operator's Handbook and signs (decals) on machine. Follow warnings and instructions in the manuals when making repairs, adjustments or servicing. Check for correct function after adjustments, repairs or service. Untrained operators and failure to follow instructions can cause injury or death.

W-2003-0903

Maintenance work must be done at regular intervals. Failure to do so will result in excessive wear and early failures. The service schedule is a guide for correct maintenance of the Bobcat product.

SERVICE SCHEDULE		HOURS		
ITEM	SERVICE REQUIRED	8	50	500
Rotor Support Bearing	Grease rotor support.			
PTO Driveline	Grease the PTO knuckles and driveline.			
Gearbox	Check the oil level.			
Side Transmission	Check the oil level.			
Mounting Hardware	Check tightness of all mounting hardware.			
Gearbox	Change the oil.		[1]	
Side Transmission	Change the oil.		[1]	

[1] Service at first 50 hours and thereafter as scheduled.



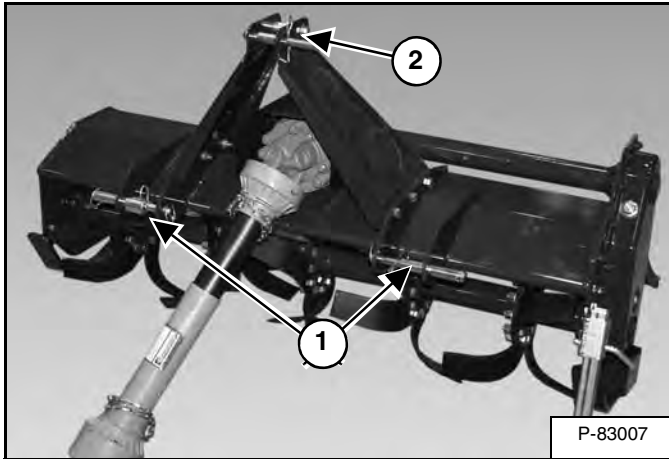
**Bobcat®**



## DAILY INSPECTION

### Implement Mounting Frame

Figure 10-30-1



Inspect the lower three-point mounts and lower mounting pins (Item 1) and the upper three-point mount and pin (Item 2) [Figure 10-30-1], along with all hardware and welds on the three-point tiller for wear and damage each time the three-point tiller is removed from the compact tractor.

### Three-Point Hitch

## WARNING

### AVOID INJURY OR DEATH

- Disengage the PTO (rear and mid), engage the parking brake, stop the engine and make sure all rotating components are completely stopped before connecting, disconnecting, adjusting or cleaning any PTO driven equipment.
- Always keep PTO shields and all guards in place when using PTO driven equipment.
- Disengage PTO (rear and mid) for road travel.
- Keep hands, feet and clothing away.

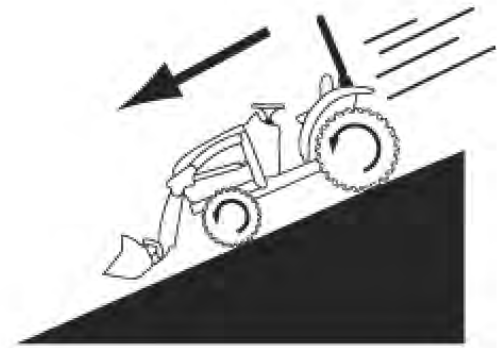
W-2568-0907

## WARNING

### AVOID INJURY OR DEATH

The parking brake must be engaged before leaving the operator's seat. Rollaway can occur because the transmission may not prevent machine movement. Lock the brake pedals together before activating the parking brake.

W-2656-0807



## WARNING

### AVOID INJURY OR DEATH

The parking brake must be engaged before leaving the operator's seat. Rollaway can occur because the transmission may not prevent machine movement. Lock the brake pedals together before activating the parking brake.

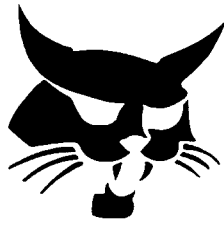
W-2656-0807

Figure 10-30-2



Inspect the three-point hitch linkage, PTO shaft splines (if required), guards, and shields. Replace if damaged or missing [Figure 10-30-2]. Repair broken or loose parts.

See the compact's tractor Operation & Maintenance Manual for detailed information on inspecting the compact tractor.



**Bobcat®**

**Dear**

**Thanks very much for your visiting and  
patience.**

**Want to get more information,**

**Please click here, Go back to the page.**

**After your payment, you will have instant access to  
your download.**

**The Download Link will also be sent to your e-mail.**

**You will get the complete manual**

**Have any questions**

**please write to me**

**[admin@servicemanualperfect.com](mailto:admin@servicemanualperfect.com)**