

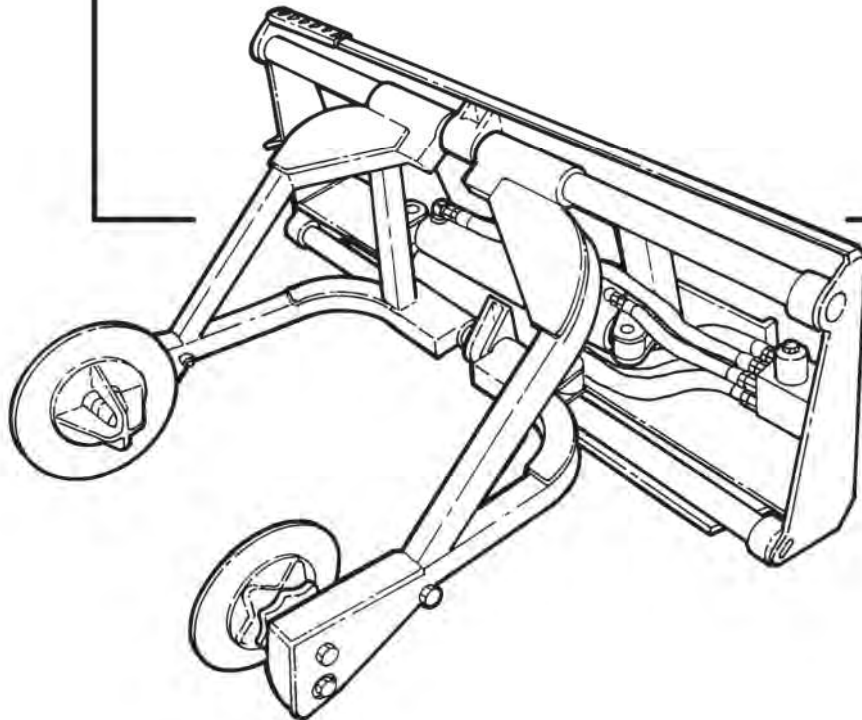


**Bobcat®**

**SOD  
LAYER**

# Service Manual

**S/N 749900101 & Above  
S/N 231811101 & Above  
S/N 679100101 & Above**



Printed in U.S.A.



# MAINTENANCE SAFETY



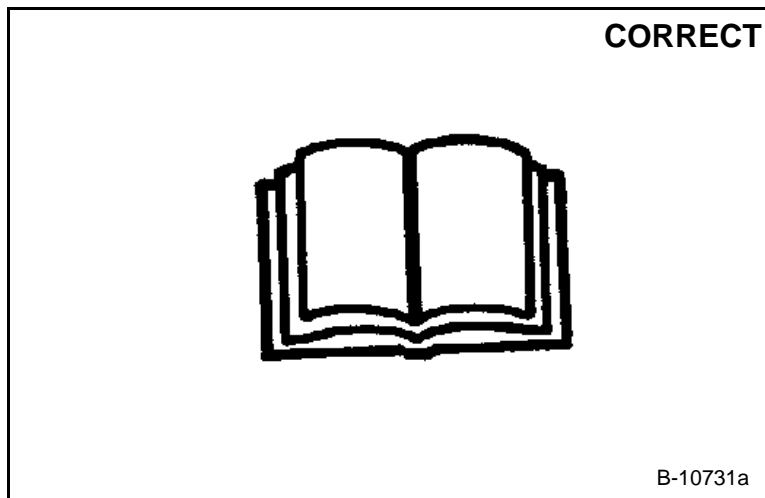
## WARNING









Instructions are necessary before operating or servicing machine. Read and understand the Operation & Maintenance Manual, Operator's Handbook and signs (decals) on machine. Follow warnings and instructions in the manuals when making repairs, adjustments or servicing. Check for correct function after adjustments, repairs or service. Untrained operators and failure to follow instructions can cause injury or death.

W-2003-0903



**Safety Alert Symbol:** This symbol with a warning statement, means: "Warning, be alert! Your safety is involved!" Carefully read the message that follows.



-  Never service attachments without instructions. See Operation & Maintenance Manual and Attachment Service Manual.
-  Cleaning and maintenance are required daily.
-  Never service or adjust attachment with the engine running unless instructed to do so in manual.
-  Always lower the attachment to the ground before lubricating or servicing.
-  Avoid contact with leaking hydraulic fluid or diesel fuel under pressure. It can penetrate skin or eyes.
-  Stop, cool and clean engine of flammable materials before checking fluids.
-  Keep body, loose objects and clothing away from moving parts, electrical contacts, hot parts and exhaust.
-  Safety glasses are needed for eye protection from electrical arcs, battery acid, compressed springs, fluids under pressure and flying debris or when tools are used. Use eye protection approved for type of welding.



**Bobcat®**

## ALPHABETICAL INDEX

|  |         |
|--|---------|
| ARM BARS .....   | 10-30-1 |
| CUTTER BLADE .....                                     | 10-10-1 |
| ELECTRICAL SCHEMATIC .....                             | 10-40-1 |
| GLOSSARY OF HYDRAULIC SYMBOLS<br>FOR ATTACHMENTS ..... | 10-40-1 |
| HYDRAULIC CONTROL VALVE .....                          | 10-20-1 |
| HYDRAULIC CYLINDER .....                               | 10-20-1 |
| HUB .....  | 10-30-1 |
| HYDRAULIC SCHEMATIC .....                              | 10-40-1 |
| IDENTIFICATION .....                                   | iv      |
| INSPECTION .....                                       | 10-10-1 |
| LUBRICATION .....                                      | 10-10-1 |
| RELIEF VALVE .....                                     | 10-20-1 |
| SERIAL NUMBER LOCATION .....                           | iii     |
| SPECIFICATIONS .....                                   | 10-40-1 |
| TROUBLESHOOTING .....                                  | 10-10-1 |



**Bobcat®**

# CONTENTS

|                                     |         |
|-------------------------------------|---------|
| SERIAL NUMBER LOCATION .....        | iii     |
| IDENTIFICATION .....                | iii     |
| PREVENTIVE MAINTENANCE .....        | 10-10-1 |
| HYDRAULIC SYSTEM .....              | 10-20-1 |
| MAIN FRAME .....                    | 10-30-1 |
| SPECIFICATIONS AND SCHEMATICS ..... | 10-40-1 |

**PREVENTIVE  
MAINTENANCE**

**HYDRAULIC  
SYSTEM**

**MAIN FRAME**

**SPECIFICATIONS  
AND  
SCHEMATICS**

**CALIFORNIA  
PROPOSITION 65 WARNING**  
Diesel engine exhaust and some of its  
constituents are known to the State of California  
to cause cancer, birth defects and other  
reproductive harm.

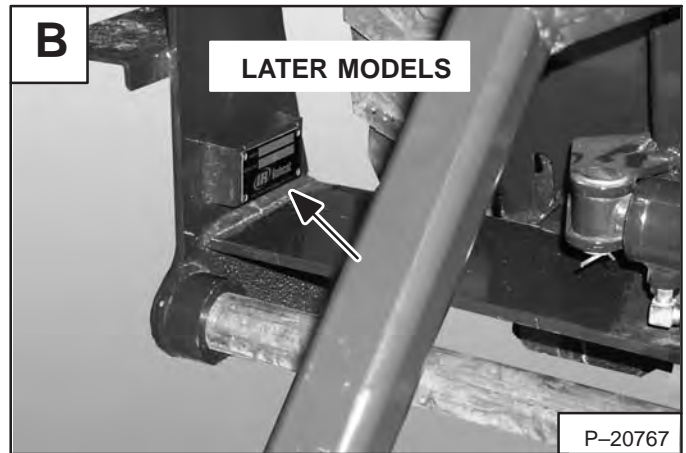
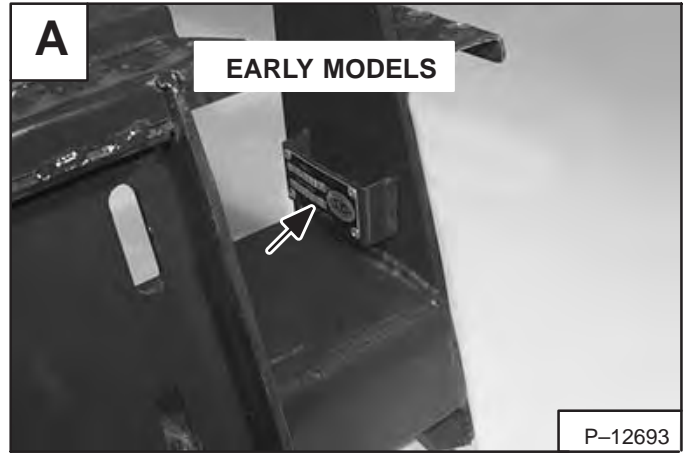


**Bobcat®**

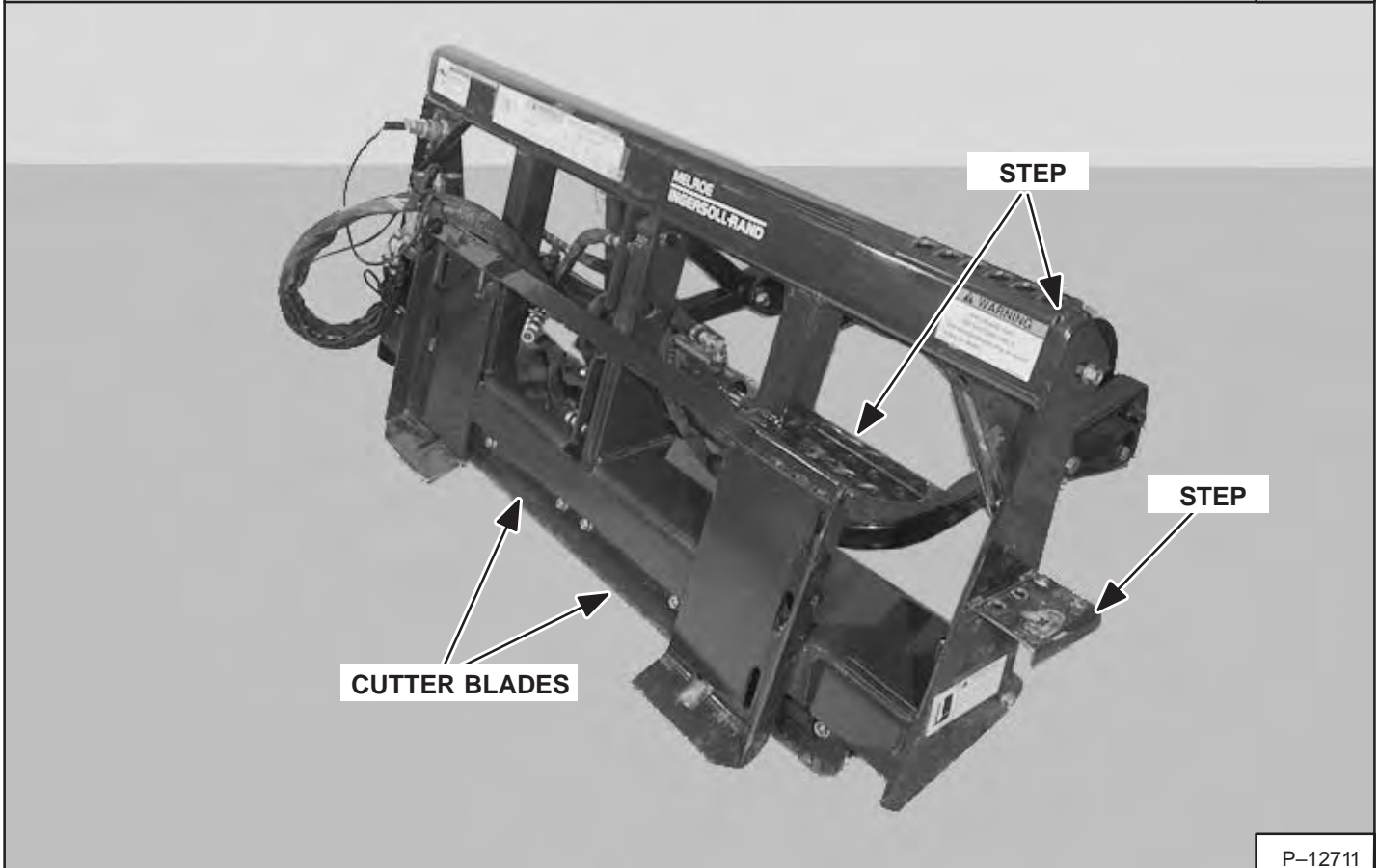
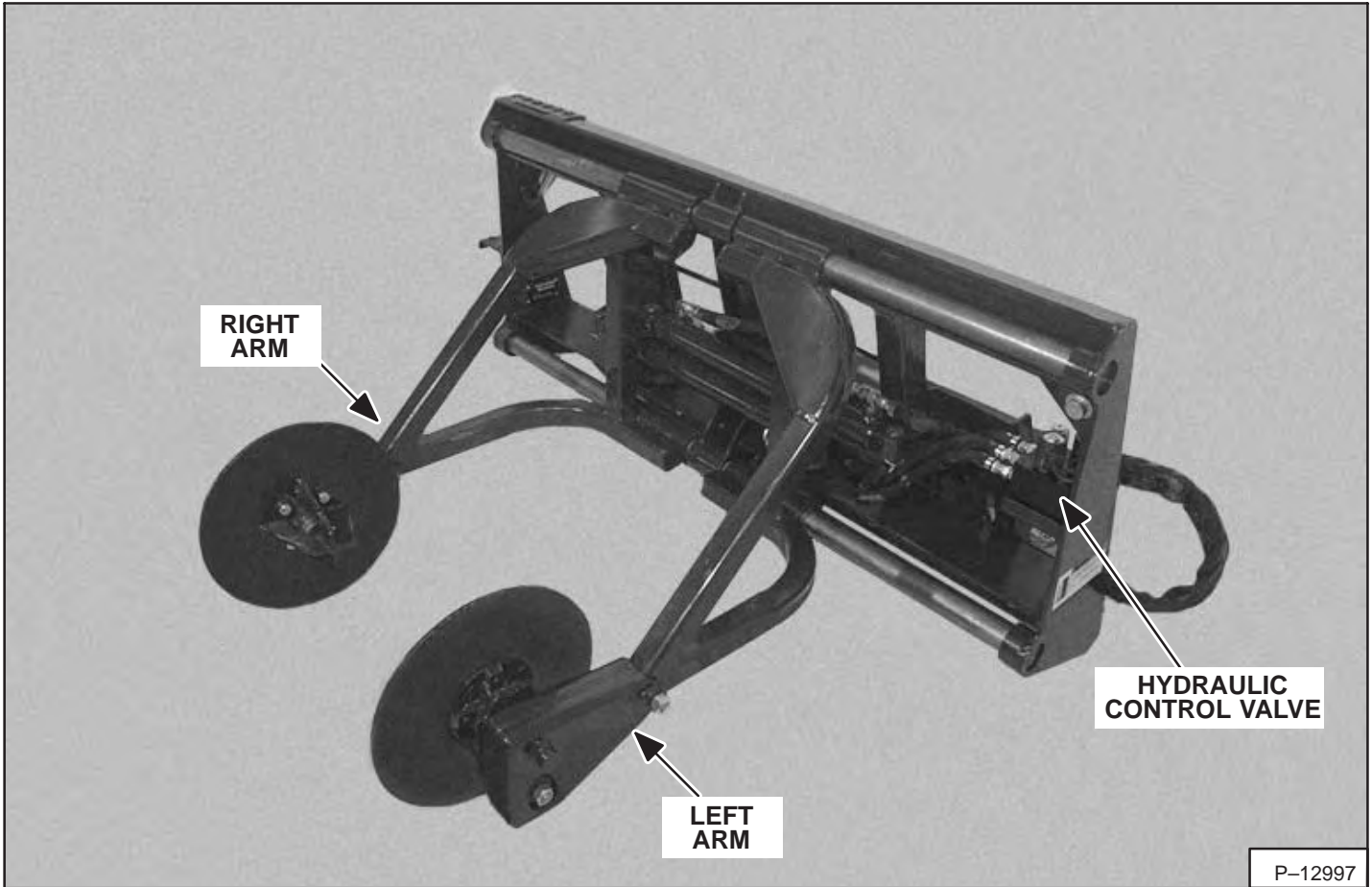


## SERIAL NUMBER LOCATION

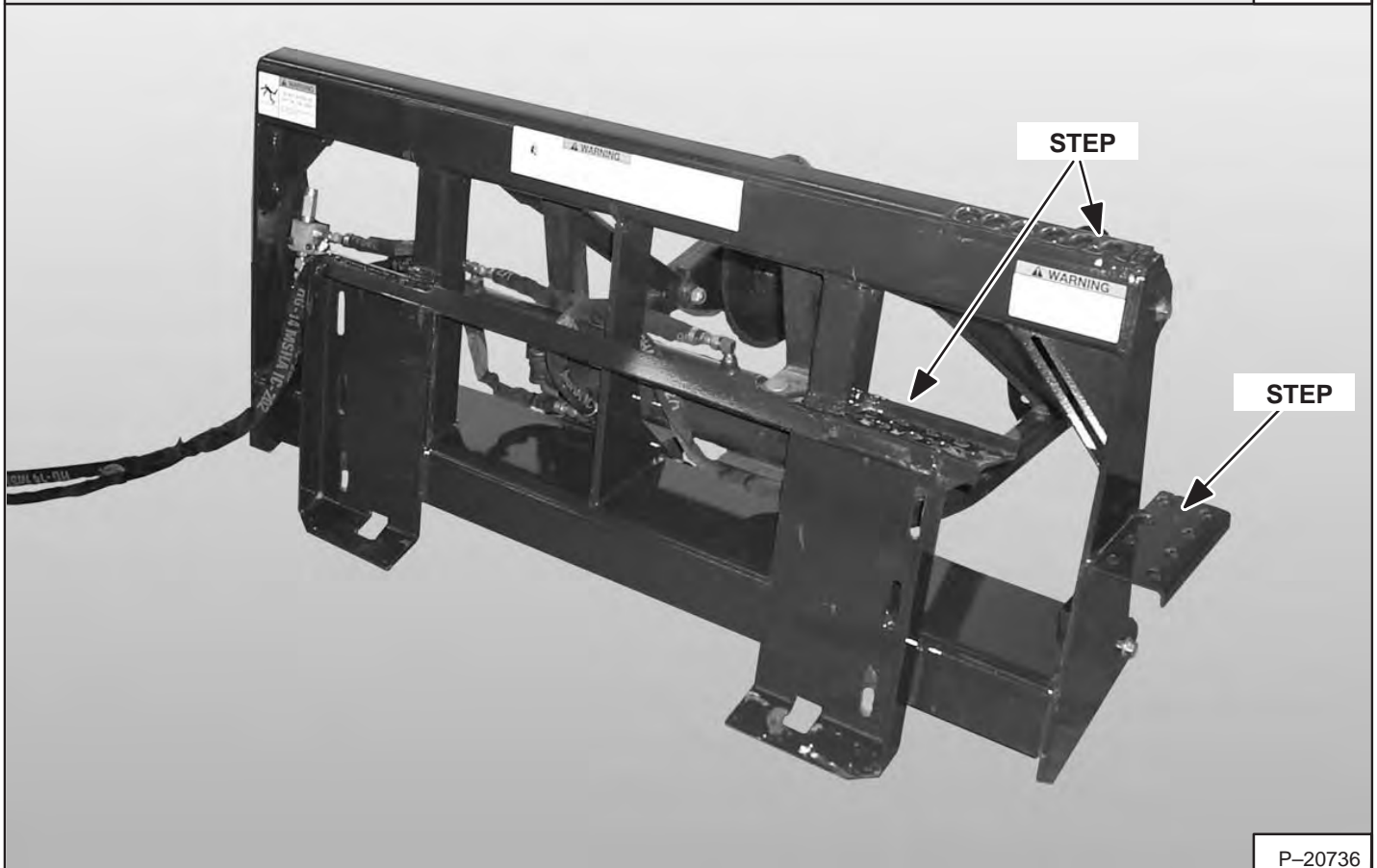
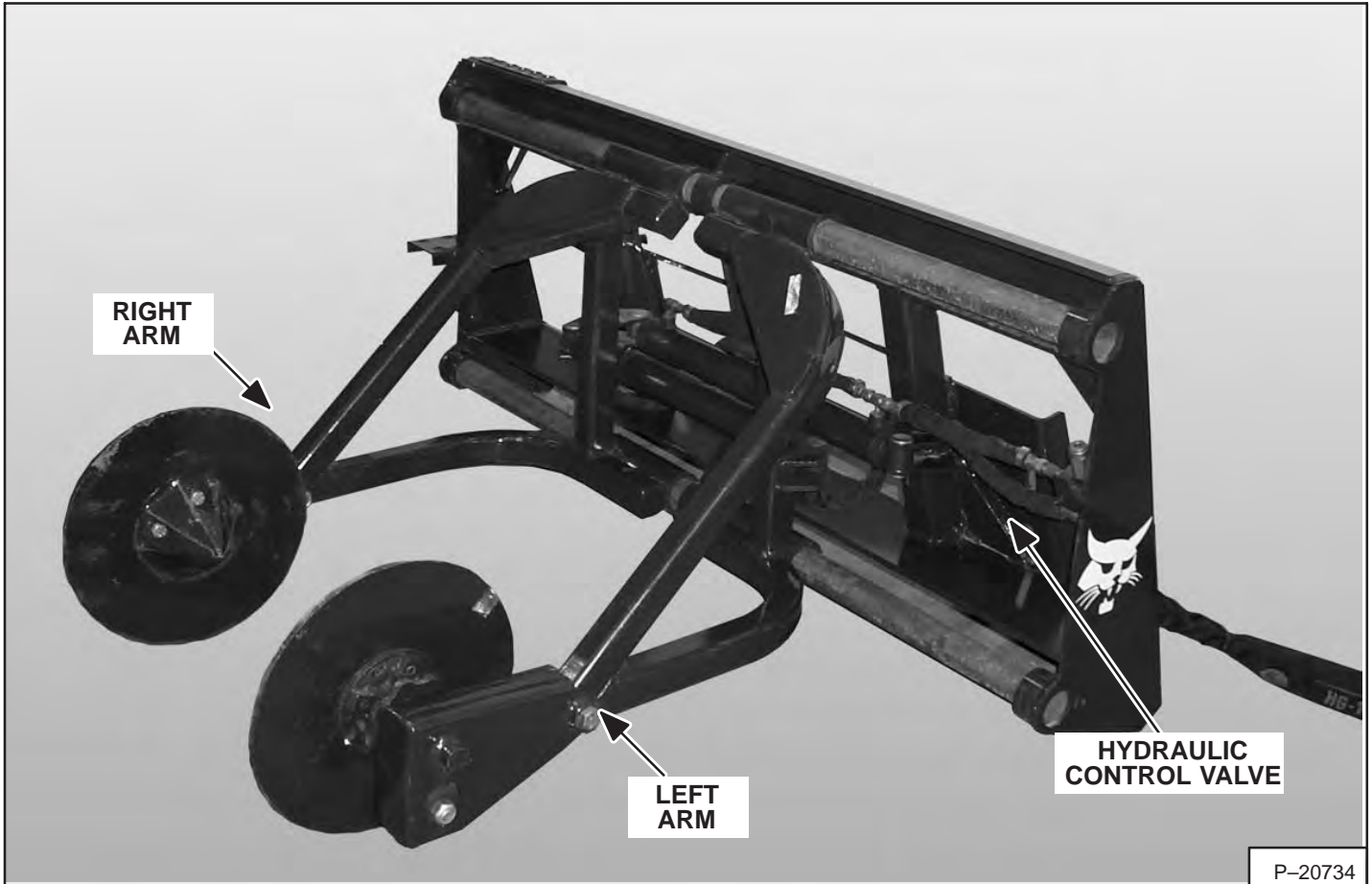
Always use the serial number of the Sod Layer when requesting service information or when ordering parts. Early or later models (identification made by serial number) may use different parts, or it may be necessary to use a different procedure in doing a specific service operation **[A]** & **[B]**.



IDENTIFICATION (S/N 231811101 & Above and  
749900101 & Above)



IDENTIFICATION (S/N 679100101 & Above)





**Bobcat®**

# PREVENTIVE MAINTENANCE

# PREVENTIVE MAINTENANCE

|                                      | <b>Page<br/>Number</b> |
|--------------------------------------|------------------------|
| INSPECTION                           |                        |
| Hand Lever Bob-Tach Inspection ..... | 10-10-5                |
| Power Bob-Tach Inspection .....      | 10-10-6                |
| Sod Layer Mount Inspection .....     | 10-10-4                |
| LUBRICATION .....                    | 10-10-4                |
| TROUBLESHOOTING .....                | 10-10-3                |



**Bobcat®**

**TROUBLESHOOTING**



Instructions are necessary before operating or servicing machine. Read and understand the Operation & Maintenance Manual, Handbook and signs (decals) on machine. Follow warnings and instructions in the manuals when making repairs, adjustments or servicing. Check for correct function after adjustments, repairs or service. Untrained operators and failure to follow instructions can cause injury or death.

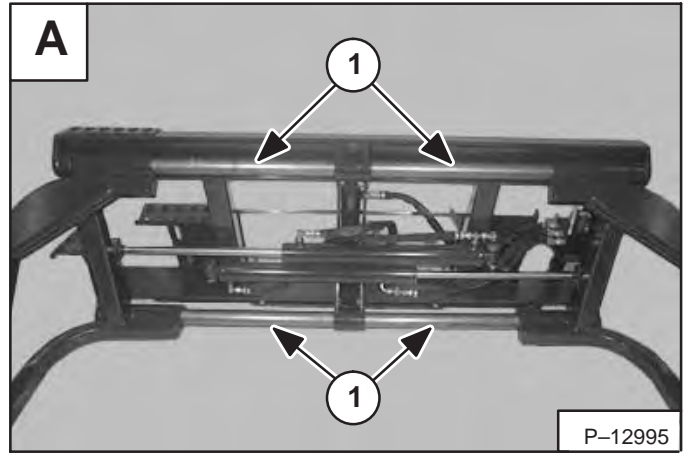
W-2003-0199

| <b>PROBLEM</b>   | <b>CAUSE</b>   | <b>CORRECTION</b>  |
|--|--|--|
| Sod Layer does not mount properly on the Bob-Tach.   | Bob-Tach wedges are not fully retracted.                               | Retract Bob-Tach wedges.   |
|  | Mud, dirt or stones are lodged between the Bob-Tach and the Sod Layer. | Remove debris from between Bob-Tach and Sod Layer.                         |
| Cutter blade(s) does not cut.<br>(S/N 231811101 & Above and 749900101 & Above only)                                    | Cutter blade(s) are dull.  | Sharpen cutter blade(s).   |
| Sod Layer arms will not sideshift, cutter blade will not extend.<br>(S/N 231811101 & Above and 749900101 & Above only) | No hydraulic flow.   | Check quick couplers connection. Check for damaged hose ends and fittings. |
|  |  | Activate loader front auxiliary hydraulics.                                |
| Sod Layer arms sideshift, cutter blade will not extend.<br>(S/N 231811101 & Above and 749900101 & Above only)          | Electrical harness not installed.                                      | Install electrical harness from the Sod Layer to the loader.               |
|  | No electrical current flow through harness.                            | Check Sod Layer electrical harness for damage to connector or harness.     |
| Sod Layer arms will not sideshift.<br>(S/N 679100101 & Above)  | No hydraulic flow.   | Check quick couplers connection. Check for damaged hose ends and fittings. |
|  |  | Activate loader front auxiliary hydraulics.                                |

## LUBRICATION

Apply a light lubricating oil to the arm bars (Item 1) [A] to prevent rust from forming.

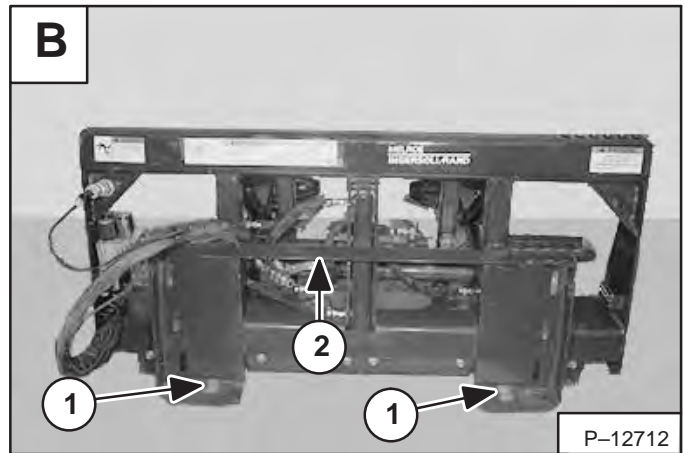
Apply a light coating of grease to the arm bars (Item 1) [A] when the sod layer is going to be stored.



## INSPECTION

### Sod Layer Mount Inspection

Inspect the Bob-Tach wedge mounts (Item 1) [B] mounting flange (Item 2) [B] and all welds on the Sod Layer mount for wear and damage each time the Sod Layer is removed from the loader.





## INSPECTION (Cont'd)

### Hand Lever Bob-Tach Inspection

Move the Bob-Tach levers to engage the wedges [A]. The levers and wedges must move freely.

The wedges must extend through the holes in the attachment mounting frame (Item 1) [A].

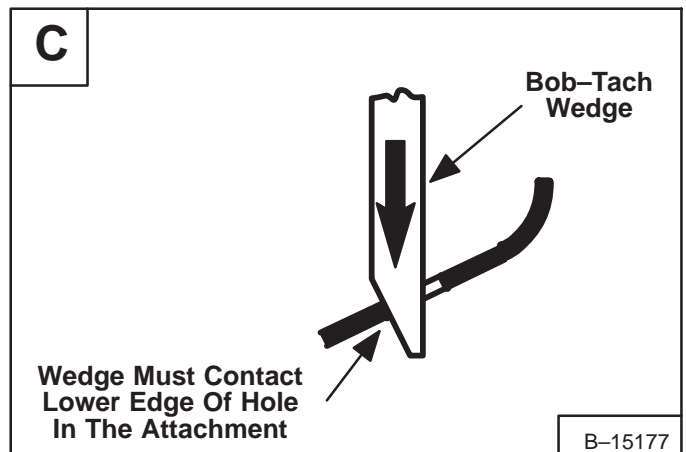
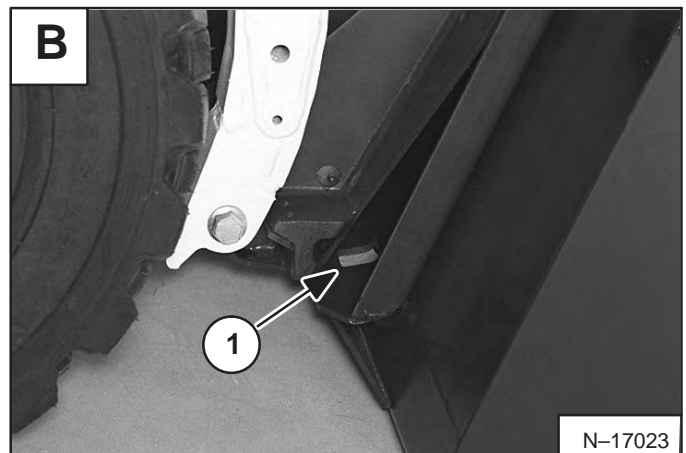
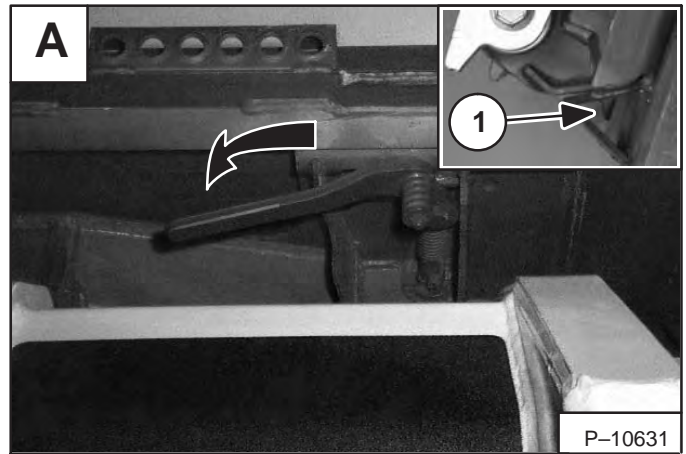
## WARNING

Bob-Tach wedges must extend through the holes in attachment. Lever(s) must be fully down and locked. Failure to secure wedges can allow attachment to come off and cause injury or death.

W-2102-0497

The spring loaded wedge (Item 1) [A] must contact the lower edge of the hole in the attachment (Item 1) [B] and [C].

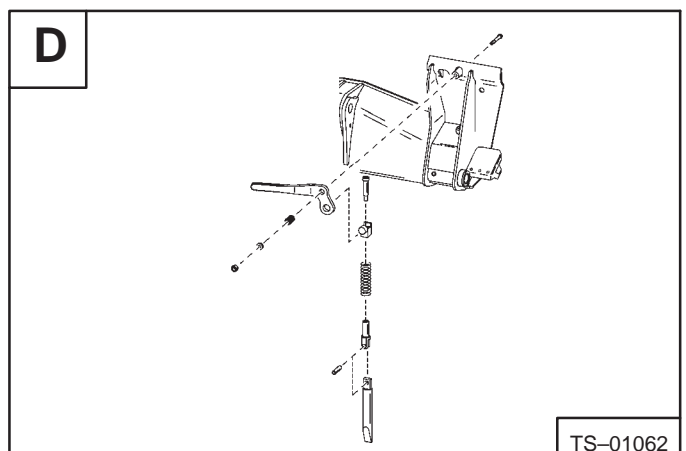
If the wedge does not contact the lower edge of the hole [B] and [C], the attachment will be loose and can come off the Bob-Tach.



Inspect the mounting frame on the attachment and the Bob-Tach, linkages and wedges for excessive wear or damage [D]. Replace any parts that are damaged, bent, or missing. Keep all fasteners tight.

Look for cracked welds. Contact your Bobcat dealer for repair or replacement parts.

Lubricate the wedges. (See the correct loader Service Manual for *LUBRICATION OF THE BOBCAT LOADER*.)



## INSPECTION(Cont'd)

### Power Bob-Tach Inspection

Push and hold the Bob-Tach “wedges up” switch [A] Until wedges are fully raised. Push and hold the Bob-Tach “wedges down” switch [A] Until the wedges are fully down. The wedges must move freely.

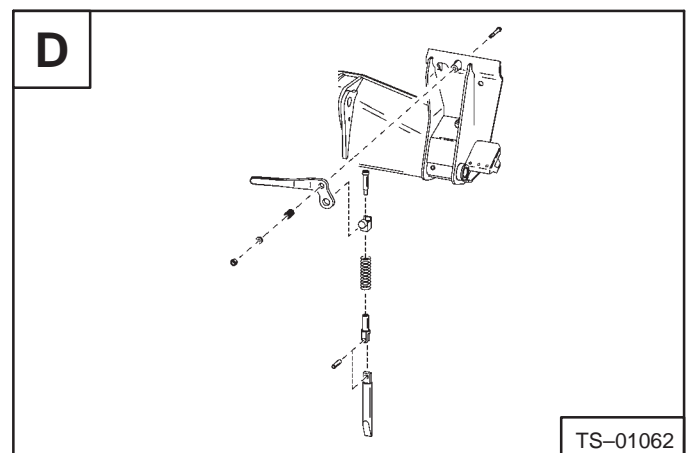
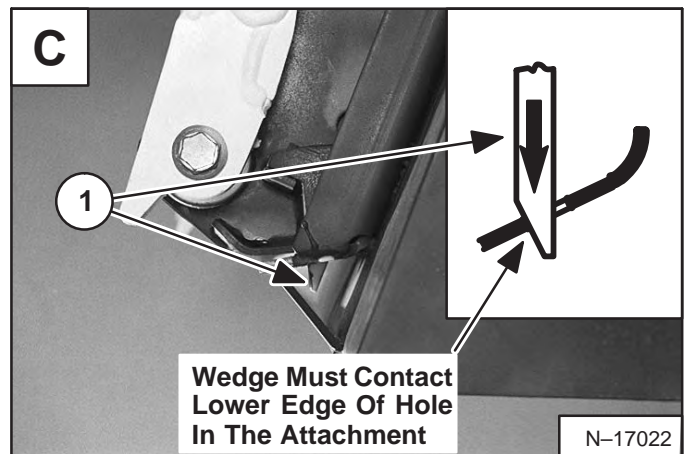
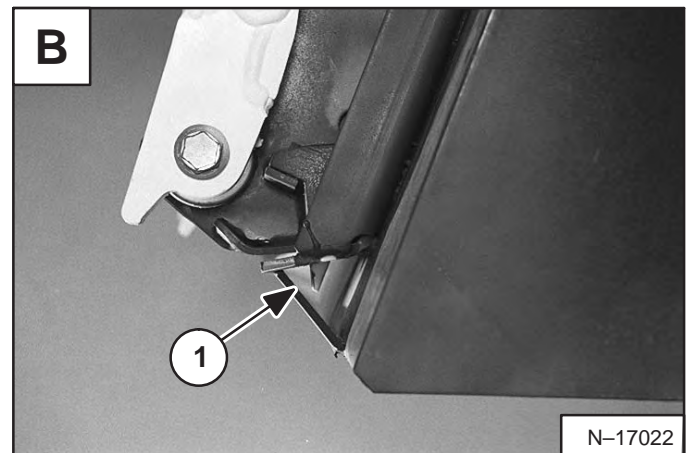
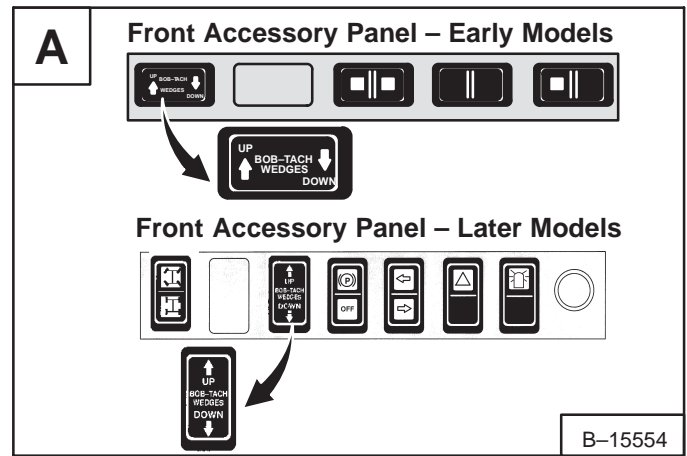
The wedges must extend through the holes in the attachment mounting frame (Item 1) [B] And must contact the lower edge of the hole in the attachment [B] and (Item 1) [C].

If the wedge does not contact the lower edge of the hole [C], The attachment will be loose and can come off the Bob-Tach.

Inspect the mounting frame on the attachment and the Bob-Tach, Linkages and wedges for excessive wear or damage [D]. Replace any parts including decals and lever that are damaged, bent, or missing. Keep all fasteners tight. Inspect the hoses and fittings for leaks.

Look for cracked welds. Contact your Bobcat Dealer for repair or replacement parts.

Lubricate the wedges. (See the correct Loader Service Manual for *Lubrication Of The Bobcat Loader.*)



**Dear**

**Thanks very much for your visiting and  
patience.**

**Want to get more information,**

**Please click here, Go back to the page.**

**After your payment, you will have instant access to  
your download.**

**The Download Link will also be sent to your e-mail.**

**You will get the complete manual**

**Have any questions**

**please write to me**

**[admin@servicemanualperfect.com](mailto:admin@servicemanualperfect.com)**